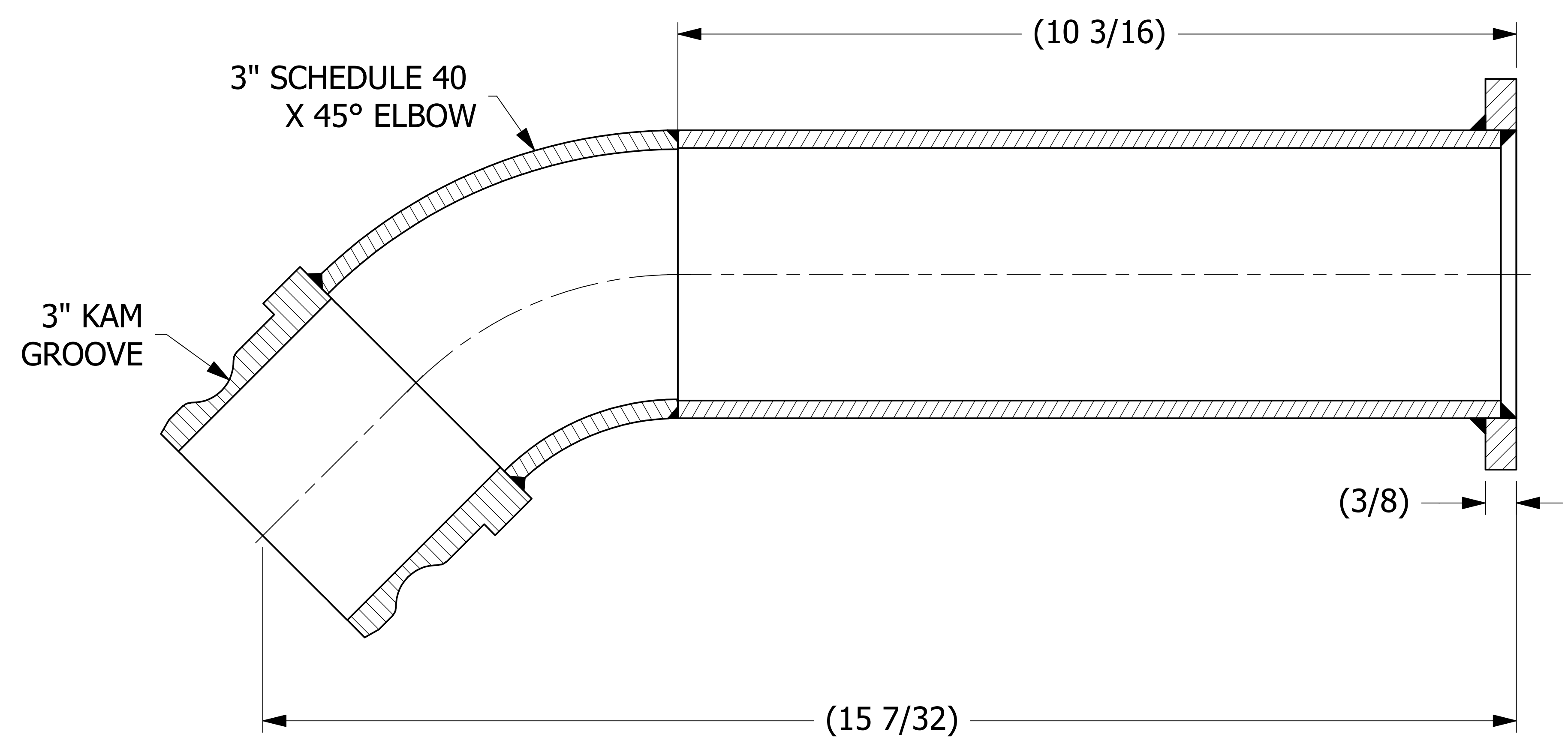
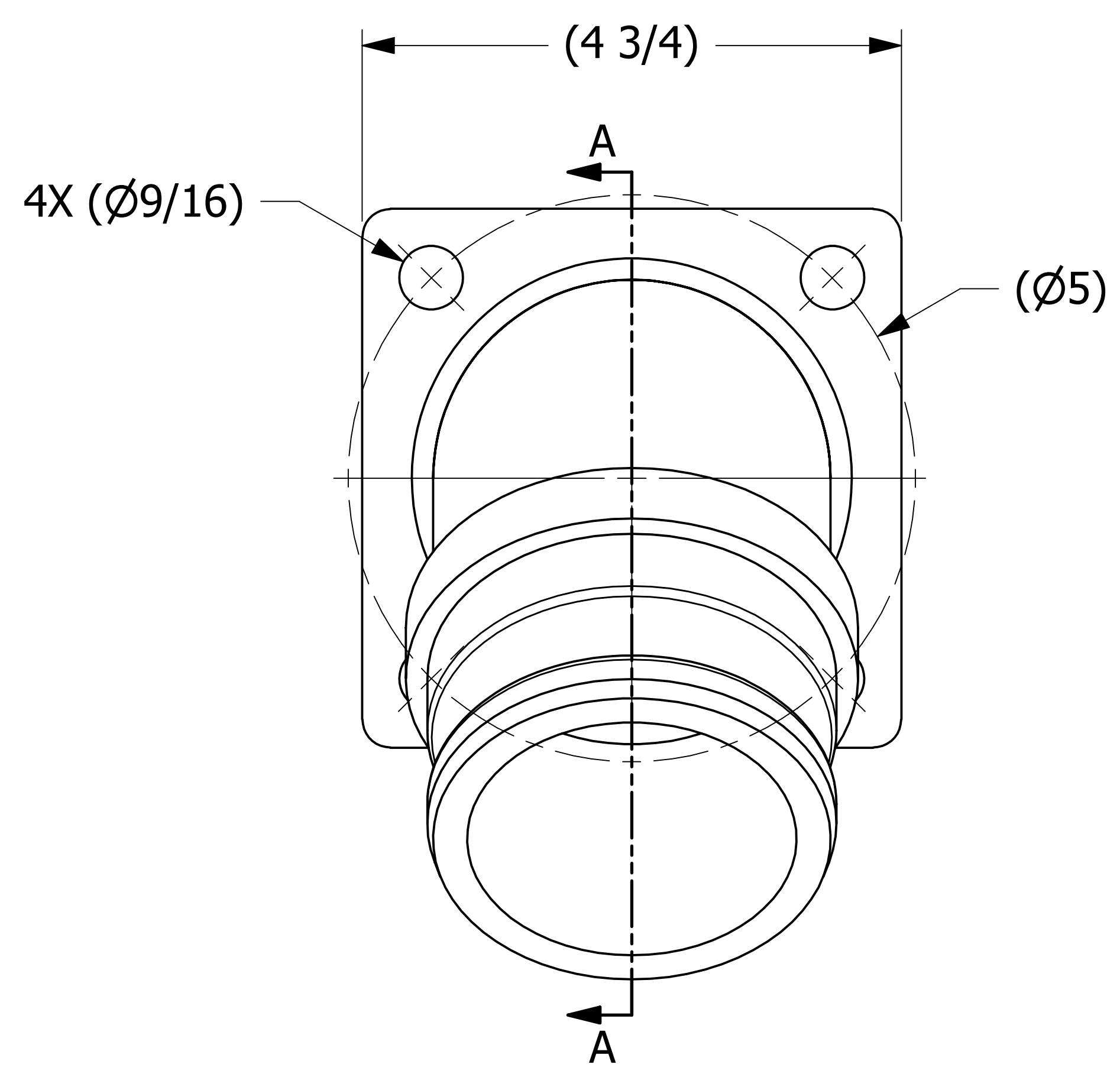


SALES DRAWING SALES DRAWING

SALES DRAWING SALES DRAWING



SECTION A-A

B	CHL	10-7-11	ADDED NOTE, SURFACE FINISH, NEW WELD BETWEEN 2 & 4
A	PJG	07/23/07	ADDED NOTE
REV	BY	DATE	DESCRIPTION

UNLESS OTHERWISE SPECIFIED DIMENSIONAL TOLERANCES FRACTIONAL: ±1/16 X.XX: ±.03 X.XXX: ±.015 ANGULAR: ±1° DEBURR ALL SHARP EDGES. ALL MACHINED SURFACES TO HAVE A 125 RMS FINISH UNLESS NOTED OTHERWISE. THIRD ANGLE PROJECTION	DRAWN BY:	ACC
	CHECKED BY:	CHL
	PROTOTYPE BY:	ACC
	PROTOTYPE DATE:	3/18/2002
	APPROVED FOR PRODUCTION BY:	ACC
	PRODUCTION DATE:	3/22/2002

**SALCO PRODUCTS, INC.**

PART NAME: **PD AIR PIPE ASSEMBLY 3"X45°**

MATERIAL: **SEE BOM**

PROJECT #: **110211** SHEET #: **1 OF 1** SCALE: **1:1**

DRAWING #: **D16809** PART #: **PD3A45F02**

THIS PRINT, PROPERTY OF SALCO PRODUCTS INC. CONTAINS PROPRIETARY INFORMATION AND MUST NOT BE COPIED, REPRODUCED, OR USED DETRIMENTALLY TO OUR INTEREST.